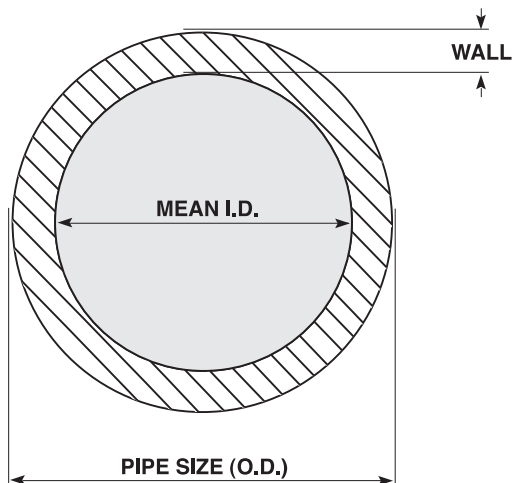


## POLYETHYLENE PIPE - STANDARD DIMENSIONS

SPECIFICATIONS ACCORDING TO AS/NZS 4130: 2003

	SDR26		SDR21		SDR17		SDR13.6		SDR11		SDR9		SDR7.4	
PE80 (MDPE)			PN6.3		PN8		PN10		PN12.5		PN16			
PE100 (HDPE)	PN6.3		PN8		PN10		PN12.5		PN16		PN20		PN25	
SIZE	MIN WALL	MEAN I.D.	MIN WALL	MEAN I.D.	MIN WALL	MEAN I.D.	MIN WALL	MEAN I.D.	MIN WALL	MEAN I.D.	MIN WALL	MEAN I.D.	MEAN WALL	MEAN I.D.
20	1.6	16.7	1.6	16.7	1.6	16.7	1.6	16.7	1.9	16.1	2.3	15.2	2.8	14.2
25	1.6	21.7	1.6	21.7	1.6	21.1	1.9	21.1	2.3	20.2	2.8	19.2	3.5	17.7
32	1.6	28.7	1.6	28.7	1.9	28.1	2.4	27.0	2.9	26.0	3.6	24.5	4.4	22.8
40	1.6	36.7	1.9	36.1	2.4	35.0	3.0	33.8	3.7	32.3	4.5	30.6	5.5	28.5
50	2.0	45.9	2.4	45.0	3.0	43.8	3.7	42.3	4.6	40.4	5.6	38.3	6.9	35.6
63	2.4	58.0	3.0	56.8	3.8	55.1	4.7	53.2	5.8	50.9	7.1	48.1	8.6	45.1
75	2.9	69.1	3.6	67.6	4.5	65.7	5.5	63.6	6.8	60.9	8.4	57.5	10.3	53.6
90	3.5	82.8	4.3	81.1	5.4	78.8	6.6	76.3	8.2	72.9	10.1	68.6	12.3	64.5
110	4.3	101.2	5.3	99.1	6.6	96.4	8.1	93.2	10.0	89.3	12.3	84.4	15.1	78.6
125	4.8	115.3	6.0	112.8	7.4	109.8	9.2	106.0	11.4	101.4	14.0	96.0	17.1	89.5
140	5.4	129.1	6.7	126.4	8.3	123.0	10.3	118.8	12.7	113.8	15.7	107.5	19.2	100.2
160	6.2	147.5	7.7	144.4	9.5	140.6	11.8	135.8	14.6	129.9	17.9	123.0	21.9	114.7
180	6.9	166.2	8.6	162.6	10.7	158.2	13.3	152.7	16.4	146.2	20.1	138.4	24.6	129.1
200	7.7	184.5	9.6	180.5	11.9	175.7	14.7	169.8	18.2	162.4	22.4	153.6	27.3	143.4
225	8.6	207.7	10.8	203.1	13.4	197.6	16.6	190.9	20.5	182.7	25.1	173.0	30.8	161.3
250	9.6	230.7	11.9	225.9	14.8	219.8	18.4	212.2	22.7	203.2	27.9	192.3	34.2	179.2
280	10.7	258.6	13.4	252.9	16.6	246.2	20.6	237.8	25.4	227.7	31.3	215.3	38.3	200.7
315	12.1	290.7	15.0	284.7	18.7	276.9	23.2	267.4	28.6	256.1	35.2	242.2	43.0	226.1
355	13.6	327.8	16.9	320.9	21.1	312.0	26.1	301.5	32.2	288.7	39.6	273.2	48.5	254.6
400	15.3	369.3	19.1	361.3	23.7	351.7	29.4	339.7	36.3	325.2	44.7	307.6	54.6	287.0
450	17.2	415.5	21.5	406.5	26.7	395.6	33.1	382.1	40.9	365.8	50.3	346.0	61.5	332.8
500	19.1	461.7	23.9	451.7	29.6	439.7	36.8	424.6	45.4	406.5	55.8	384.7	...	...
560	21.4	517.2	26.7	506.1	33.2	492.4	41.2	475.6	50.8	455.5	...	...	...	...
630	24.1	581.8	30.0	569.5	37.2	554.1	46.3	535.2	57.2	512.3	...	...	...	...
710	27.2	655.6	33.9	641.6	42.1	624.3	52.2	603.1	...	...	...	...	...	...
800	30.6	738.8	38.1	723.0	47.4	703.2	58.8	680.0	...	...	...	...	...	...
900	34.4	829.5	42.9	813.8	53.5	791.6	...	...	...	...	...	...	...	...
1000	38.2	923.0	47.7	904.2	59.3	879.8	...	...	...	...	...	...	...	...



$$SDR = OD \div \text{WALL THICKNESS}$$