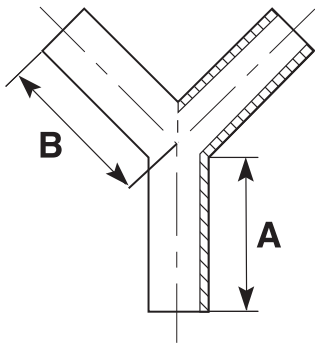


FABRICATED TRUE Y JUNCTION

PE100 • SDR11 - SDR26

SIZE (MM)	CODE SDR11	CODE SDR17	A (MM)	B (MM)
90	6704-0090	6706-0090	200	450
110	6704-0110	6706-0110	250	450
125	6704-0125	6706-0125	250	450
140	6704-0140	6706-0140	500	600
160	6704-0160	6706-0160	500	600
180	6704-0180	6706-0180	500	750
200	6704-0200	6706-0200	500	750
225	6704-0225	6706-0225	550	750
250	6704-0250	6706-0250	650	900
280	6704-0280	6706-0280	650	900
315	6704-0315	6706-0315	700	1050
355	6704-0355	6706-0355	700	1180
400	6704-0400	6706-0400	1100	1250
450	6704-0450	6706-0450	1100	1300
500	6704-0500	6706-0500	1200	1400
560	6704-0560	6706-0560	1200	1400
630	6704-0630	6706-0630	1200	1440

- Other sizes up to 1200mm and custom angle bends made to order.
- Derating may apply - discuss with our sales team

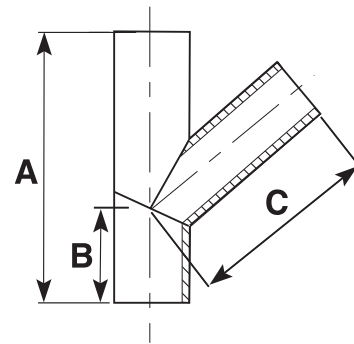


FABRICATED 45° JUNCTION

PE100 • SDR11 - SDR26

SIZE (MM)	CODE SDR11	CODE SDR17	A (MM)	B (MM)	C (MM)
90	6694-0090	6696-0090	700	270	430
110	6694-0110	6696-0110	700	270	430
125	6694-0125	6696-0125	750	300	450
140	6694-0140	6696-0140	780	300	480
160	6694-0160	6696-0160	850	330	520
180	6694-0180	6696-0180	950	360	590
200	6694-0200	6696-0200	960	370	590
225	6694-0225	6696-0225	1080	420	660
250	6694-0250	6696-0250	1150	450	710
280	6694-0280	6696-0280	1250	500	750
315	6694-0315	6696-0315	1350	530	820
355	6694-0355	6696-0355	1450	570	880
400	6694-0400	6696-0400	1550	600	950
450	6694-0450	6696-0450	1850	650	1200
500	6694-0500	6696-0500	2100	700	1400
560	6694-0560	6696-0560	2200	800	1400
630	6694-0630	6696-0630	2300	800	1500

- Other sizes up to 1200mm and custom angle bends made to order.
- Derating may apply - discuss with our sales team



FABRICATED 45° REDUCING JUNCTION

PE100 • SDR11 - SDR26 • GRAVITY OR LOW PRESSURE ONLY

SDR11

SIZE (MM)	110MM OFF-TAKE SDR11	A (MM)	B (MM)	C (MM)	160MM OFF-TAKE SDR11	A (MM)	B (MM)	C (MM)
160	6694-1611	700	350	350	-	-	-	-
180	6694-1811	700	350	350	6694-1816	850	350	310
200	6694-2011	850	350	350	6694-2016	950	350	320
225	6694-2211	900	350	350	6694-2216	950	350	330
250	6694-2511	900	350	350	6694-2516	1000	350	345
280	6694-2811	1000	400	350	6694-2816	1000	400	360
315	6694-3111	1000	400	360	6694-3116	1000	400	380
355	6694-3511	1200	400	380	6694-3516	1200	400	400
400	6694-4011	1200	400	400	6694-4016	1200	400	425
450	6694-4511	1300	400	425	6694-4516	1300	400	450
500	6694-5011	1300	450	450	6694-5016	1300	450	475
560	6694-5611	1400	450	475	6694-5616	1400	450	500
630	6694-6311	1400	450	500	6694-6316	1400	450	525

SDR17

SIZE (MM)	110MM OFF-TAKE SDR17	A (MM)	B (MM)	C (MM)	160MM OFF-TAKE SDR17	A (MM)	B (MM)	C (MM)
160	6696-1611	700	350	350	-	-	-	-
180	6696-1811	700	350	350	6696-1816	850	350	310
200	6696-2011	850	350	350	6696-2016	950	350	320
225	6696-2211	900	350	350	6696-2216	950	350	330
250	6696-2511	900	350	350	6696-2516	1000	350	345
280	6696-2811	1000	400	350	6696-2816	1000	400	360
315	6696-3111	1000	400	360	6696-3116	1000	400	380
355	6696-3511	1200	400	380	6696-3516	1200	400	400
400	6696-4011	1200	400	400	6696-4016	1200	400	420
450	6696-4511	1300	400	425	6696-4516	1300	400	445
500	6696-5011	1300	450	450	6696-5016	1300	450	475
560	6696-5611	1400	450	475	6696-5616	1400	450	500
630	6696-6311	1400	450	500	6696-6316	1400	450	525

Note: Other sizes and pressure ratings available

