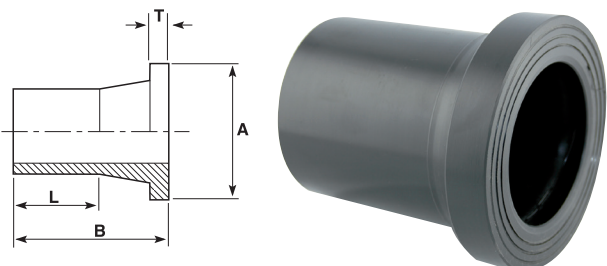


SPIGOT STUB FLANGE

PE100 • SDR11 - SDR17

SIZE (MM)	CODE SDR11	CODE SDR17	A (MM)	B (MM)	L (MM)	T (MM)
20	3414-0020	-	45	76	41	7
25	3414-0025	-	58	81	41	9
32	3414-0032	-	68	85	44	10
40	3414-0040	-	73	88	49	11
50	3414-0050	-	84	92	55	12
63	3414-0063	-	95	100	63	14
75	3414-0075	-	122	120	70	16
90	3414-0090	3416-0090	128	132	79	17
110	3414-0110	3416-0110	158	157	82	18
110	3414-0110V	3416-0110V	158	157	82	18
125	3414-0125	3416-0125	158	170	87	25
125	3414-0125V	3416-0125V	158	170	87	25
140	3414-0140	3416-0140	188	175	92	25
140	3414-0140V	-	188	175	92	25
160	3414-0160	3416-0160	212	180	98	25
160	3414-0160V	3416-0160V	212	180	98	25
180	3414-0180	3416-0180	212	190	105	30
200	3414-0200	3416-0200	268	200	112	32
200	3414-0200V	3416-0200V	268	200	112	32
225	3414-0225	3416-0225	268	200	120	32
225	3414-0225V	-	268	200	120	32
250	3414-0250	3416-0250	320	205	129	35
250	3414-0250V	3416-0250V	320	205	129	35
280	3414-0280	3416-0280	320	215	139	35
280	3414-0280V	-	320	215	139	35
315	3414-0315	3416-0315	370	220	150	35
315	3414-0315V	3416-0315V	370	220	150	35
355	3414-0355	3416-0355	430	243	164	40
355	3414-0355V	3416-0355V	430	243	164	40
400	3414-0400	3416-0400	480	259	179	46
450	3414-0450	3416-0450	545	301	195	60
500	3414-0500	3416-0500	585	314	212	60
560	3414-0560	3416-0560	685	345	235	72
630	3414-0630	3416-0630	685	360	255	65

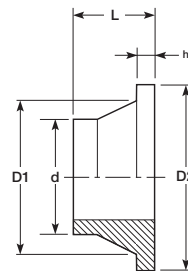
- Please specify if stub is to suit butterfly valves (add "V" to code).
- Stub flanges are also suited to HDPE Drainage



BUTT WELD STUB FLANGE

PE100 • SDR11 - SDR17

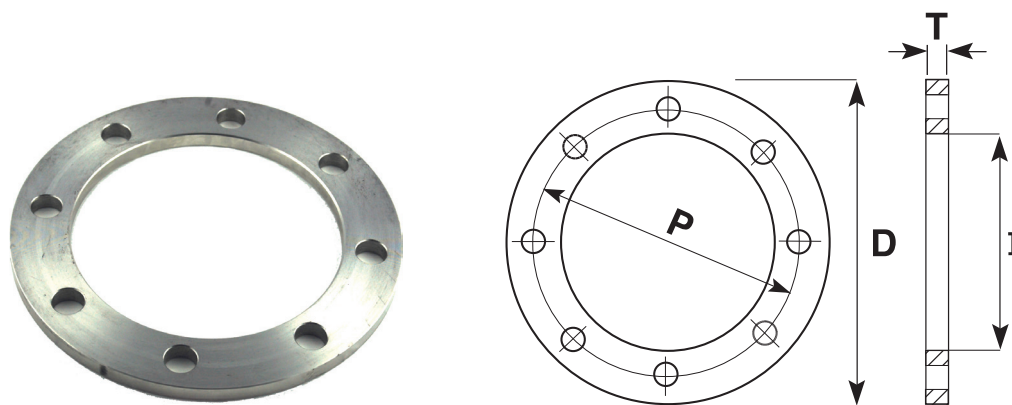
SIZE (MM)	CODE SDR11	CODE SDR17	D1 (MM)	D2 (MM)	L (MM)	H1 (MM)
110	4414-0110	4416-0110	124	158	80	18
125	4414-0125	4416-0125	128	158	80	25
140	4414-0140	4416-0140	151	188	80	25
160	4414-0160	4416-0160	168	212	80	25
180	4414-0180	4416-0180	190	212	80	30
200	4414-0200	4416-0200	225	268	95	30
225	4414-0225	4416-0225	230	268	95	30
250	4414-0250	4416-0250	284	320	100	35
280	4414-0280	4416-0280	294	320	100	35
315	4414-0315	4416-0315	335	370	105	35
355	4414-0355	4416-0355	366	430	110	40
400	4414-0400	4416-0400	420	480	110	45
450	4414-0450	4416-0450	470	545	110	45
500	4414-0500	4416-0500	520	585	125	60
560	4414-0560	4416-0560	580	685	125	60
630	4414-0630	4416-0630	650	685	130	60
710	4414-0710	4416-0710	735	800	130	60
800	4414-0800	4416-0800	825	904	130	60
900	4414-0900	4416-0900	940	1000	130	60
1000	4414-1000	4416-1000	1025	1113	130	60
1200	4414-1200	4416-1200	1230	1330	170	80



**AS 4087 B7 GALVANISED BACKING RING (5441)
 PN16 STAINLESS BACKING RING (5442)
 TABLE D NYLON COATED BACKING RING (5444)**
 FOR EXAMPLE: A 110MM GALVANISED BACKING RING WOULD HAVE THE
 CODE 5441.0110B7

SIZE (MM)	NOMINAL FLANGE SIZE	INCH SIZE	P (MM)	I (MM)	D (MM)	T (MM)	BOLT HOLES NO X DIA	BOLT
20	15	1/2"	67	32	95	6	4x14	M12
25	20	3/4"	73	37	100	6	4x14	M12
32	25	1"	83	44	115	6	4x14	M12
40	32	1 1/4"	87	52	120	6	4x14	M12
50	40	1 1/2"	98	62	135	8	4x14	M12
63	50	2"	114	78	150	11	4x18	M16
75	65	2 1/2"	127	92	165	11	4x18	M16
90	80	3"	146	108	185	11	4x18	M16
110	100	4"	178	128	215	13	4x18	M16
125	100	4"	178	135	215	13	4x18	M16
160	150	6"	235	178	280	13	8x18	M16
180	150	6"	235	185	280	13	8x18	M16
200	200	8"	292	235	335	19	8x18	M16
225	200	8"	292	240	335	19	8x18	M16
250	250	10"	356	290	405	19	8x22	M20
280	250	10"	356	300	405	19	8x22	M20
315	300	12"	406	345	455	23	12x22	M20
355	350	14"	470	376	525	30	12x26	M24
n/a	375	15"	495	404	550	30	12x26	M24
400	400	16"	521	430	580	30	12x26	M24
450	450	18"	584	480	640	30	12x26	M24
500	500	20"	641	533	705	38	16x26	M24
630	600	24"	756	660	825	48	16x30	M27
710	700	28"	845	745	910	56	20x30	M27
800	800	32"	984	835	1060	56	20x36	M33

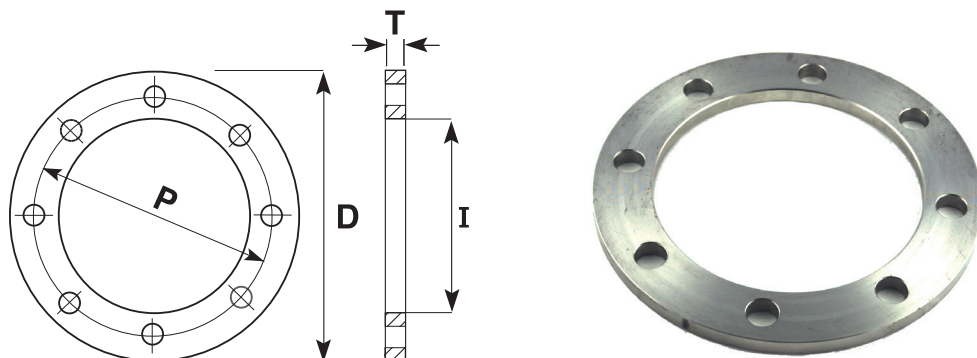
Note: these rings are suited to the Stream PE100 Pressure, Stream HDPE Drainage, Maxair, and Dynatherm PP-RCT ranges.



**TABLE E GALVANISED BACKING RING (5451)
STAINLESS BACKING RING (5452)
NYLON COATED BACKING RING (5454)**
FOR EXAMPLE: A 110MM GALVANISED BACKING RING WOULD HAVE THE CODE 5451.0110

SIZE (MM)	NOMINAL FLANGE SIZE	INCH SIZE	P (MM)	I (MM)	D (MM)	T (MM)	BOLT HOLES NO X DIA	BOLT
20	15	1/2"	67	32	95	6	4X14	M12
25	20	3/4"	73	37	100	6	4X14	M12
32	25	1"	83	44	115	7	4X14	M12
40	32	1 1/4"	87	52	120	8	4X14	M12
50	40	1 1/2"	98	62	135	9	4X14	M12
63	50	2"	114	74	150	10	4X18	M16
75	65	2 1/2"	127	93	165	10	4X18	M16
90	80	3"	146	108	185	12	4X18	M16
110	100	4"	178	125	215	13	8X18	M16
125	100	4"	178	140	215	14	8X18	M16
125	125	5"	210	140	255	14	8X18	M16
140	125	5"	210	158	255	14	8X18	M16
160	150	6"	235	175	280	17	8X22	M20
180	150	6"	235	185	280	17	8X22	M20
200	200	8"	292	230	335	19	8X22	M20
225	200	8"	292	240	335	19	8X22	M20
250	250	10"	356	290	405	22	12X22	M20
280	250	10"	356	300	405	22	12X22	M20
315	300	12"	406	345	455	25	12X26	M24
355	350	14"	470	373	525	29	12X26	M24
400	400	16"	521	425	580	32	12X26	M24
450	450	18"	584	480	640	35	16X26	M24
500	500	20"	641	533	705	38	16X26	M24
560	-	22"	699	590	760	44	16X30	M27
630	600	24"	756	660	825	48	16X33	M30
710	700	28"	845	745	910	51	20X33	M30
800	800	32"	984	835	1060	54	20X36	M33

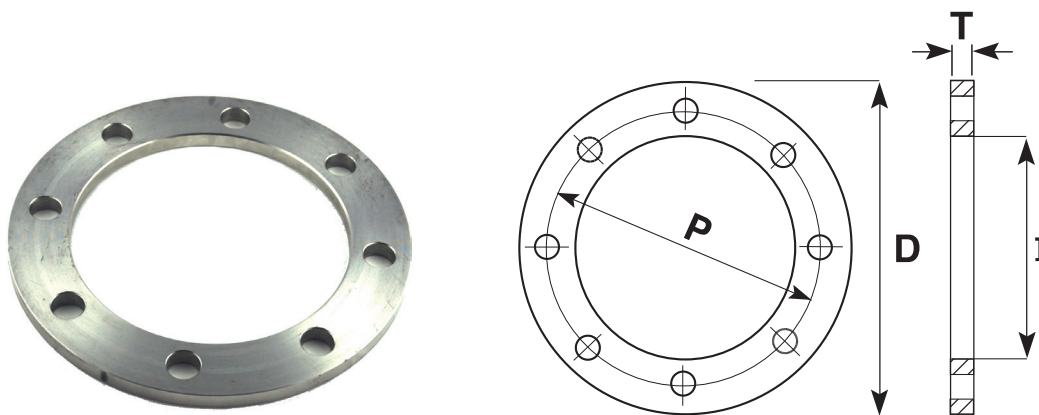
Note: these rings are suited to the Stream PE100 Pressure, Stream HDPE Drainage, Maxair, and Dynatherm PP-RCT ranges.



**TABLE ANSI GALVANISED BACKING RING (5461)
STAINLESS BACKING RING (5462)
NYLON COATED BACKING RING (5464)**
FOR EXAMPLE: A 110MM GALVANISED BACKING RING WOULD HAVE A CODE 5461.0110

SIZE (MM)	NOMINAL FLANGE SIZE	INCH SIZE	P (MM)	I (MM)	D (MM)	T (MM)	BOLT HOLES NO X DIA	BOLT
20	15	1/2"	60.5	32	90	6	4x16	1/2"
25	20	3/4"	70	37	98	6	4x16	1/2"
32	25	1"	79.5	44	108	6	4x16	1/2"
40	32	1 1/4"	89	52	117	6	4x16	1/2"
50	40	1 1/2"	98.5	62	127	8	4x16	1/2"
63	50	2"	120.5	78	152	8	4x20	5/8"
75	65	2 1/2"	139.5	92	178	8	4x20	5/8"
90	80	3"	152	108	191	10	4x20	5/8"
110	100	4"	190.5	128	229	10	8x20	5/8"
125	100	4"	190.5	140	229	10	8x20	5/8"
125	125	5"	216	140	254	13	8x23	3/4"
140	125	5"	216	158	254	13	8x23	3/4"
160	150	6"	241	178	279	13	8x23	3/4"
180	150	6"	241	195	279	13	8x23	3/4"
200	200	8"	298.5	235	343	13	8x23	3/4"
225	200	8"	298.5	240	343	13	8x23	3/4"
250	250	10"	362	290	406	13	12x26	7/8"
280	250	10"	362	300	406	16	12x26	7/8"
315	300	12"	432	345	483	16	12x26	7/8"
355	350	14"	476	376	535	19	12x29	1"
400	400	16"	540	430	600	22	16x29	1"
450	450	18"	578	480	635	22	16x32	1 1/8"
500	500	20"	635	533	700	25	20x32	1 1/8"
630	600	24"	749	660	813	29	20x35	1 1/4"

Note: these rings are suited to the Stream PE100 Pressure, Stream HDPE, Maxair, and Dynatherm ranges.



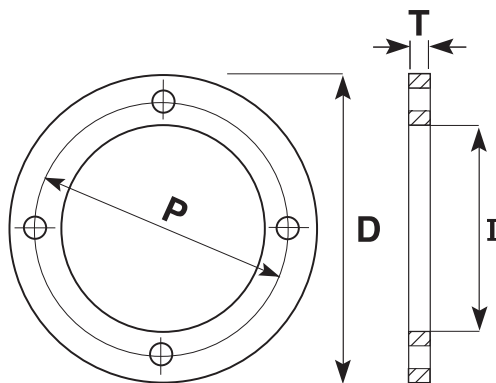
**BS EN 1092
PN16**

PP BLACK COATED STEEL BACKING RING (5415)

FOR EXAMPLE: A 110MM GALVANISED BACKING RING WOULD HAVE A CODE 5415.0110

SIZE (MM)	NOMINAL FLANGE SIZE	INCH SIZE	P (MM)	I (MM)	D (MM)	T (MM)	BOLT HOLES NO X DIA	BOLT
20	15	1/2"	65	32	95	14	4x14	M12
25	20	3/4"	75	37	105	14	4x14	M12
32	25	1"	85	44	115	14	4x14	M12
40	32	1 1/4"	100	52	140	16	4x18	M16
50	40	1 1/2"	110	62	150	18	4x18	M16
63	50	2"	125	74	165	18	4x18	M16
75	65	2 1/2"	145	87	185	18	4x18	M16
90	80	3"	160	103	200	18	8x18	M16
110	100	4"	180	125	220	18	8x18	M16
125	100	4"	180	140	220	18	8x18	M16
125	125	5"	210	140	250	22	8x18	M16
140	125	5"	210	158	250	22	8x18	M16
160	150	6"	240	175	285	22	8x22	M20
180	150	6"	240	185	285	22	8x22	M20
200	200	8"	295	230	340	22	12x22	M20
225	200	8"	295	240	340	22	12x22	M20
250	250	10"	355	290	405	22	12x26	M24
280	250	10"	355	300	405	22	12x26	M24
315	300	12"	410	345	460	22	12x26	M24
355	350	14"	470	373	520	26	16x26	M24
400	400	16"	525	425	580	30	16x30	M27
450	450	18"	585	480	640	40	20x30	M27
500	500	20"	650	533	715	44	20x33	M30
630	600	24"	770	660	840	54	20x36	M33

Note: these rings are suited to the Stream PE100 Pressure, Stream HDPE, Maxair, and Dynatherm ranges.



EPDM RUBBER GASKET

TABLE D • TABLE E • PN16 • ANSI 150

PIPE SIZE (MM)	INCH SIZE	TABLE D		TABLE E		PN16		ANSI 150	
		PCD	CODE	PCD	CODE	PCD	CODE	PCD	CODE
20	1/2"	67	9644-0020	67	9644-0020	65	9654-0020	60.5	9624-0020
25	3/4"	73	9644-0025	73	9644-0025	75	9654-0025	70	9624-0025
32	1"	83	9644-0032	83	9644-0032	85	9654-0032	79.5	9624-0032
40	1 1/4"	87	9644-0040	87	9644-0040	100	9654-0040	89	9624-0040
50	1 1/2"	98	9644-0050	98	9644-0050	110	9654-0050	98.5	9624-0050
63	2"	114	9644-0063	114	9644-0063	125	9654-0063	120.5	9624-0063
75	2 1/2"	127	9644-0075	127	9644-0075	145	9654-0075	139.5	9624-0075
90	3"	146	9644-0090	146	9644-0090	160	9654-0090	152	9624-0090
110	4"	178	9634-0110	178	9644-0110	180	9654-0110	190.5	9624-0110
125	4"	178	9634-4125	178	9644-4125	180	9654-4125	-	-
125	5"	210	9634-5125	210	9644-5125	210	9654-5125	216	9624-0125
140	5"	210	9634-0140	210	9644-0140	210	9654-0140	216	9624-0140
160	6"	235	9634-0160	235	9644-0160	240	9654-0160	241	9624-0160
180	6"	235	9634-0180	235	9644-0180	240	9654-0180	241	9624-0180
200	8"	292	9634-0200	292	9644-0200	295	9654-0200	298.5	9624-0200
225	8"	292	9634-0225	292	9644-0225	295	9654-0225	298.5	9624-0225
250	10"	356	9634-0250	356	9644-0250	355	9654-0250	362	9624-0250
280	10"	356	9634-0280	356	9644-0280	355	9654-0280	362	9624-0280
315	12"	406	9634-0315	406	9644-0315	410	9654-0315	432	9624-0315
355	14"	470	9634-0355	470	9644-0355	470	9654-0355	476	9624-0355
400	16"	521	9634-0400	521	9644-0400	525	9654-0400	540	9624-0400
450	18"	584	9634-0450	584	9644-0450	585	9654-0450	578	9624-0450
500	20"	641	9634-0500	641	9644-0500	650	9654-0500	635	9624-0500
560	22"	699	9634-0560	699	9644-0560	-	-	692	9624-0560
630	24"	756	9634-0630	756	9644-0630	770	9654-0630	749	9624-0630
710	26"	845	9634-0710	845	9644-0710	-	-	-	-
800	28"	984	9634-0800	984	9644-0800	-	-	-	-

Note: these gaskets are suited to the Stream PE100 Pressure, Stream HDPE, Maxair, and Dynatherm ranges.



**DRESS SETS GALVANISED (DS)
STAINLESS (SSDS)**

We stock parts for various different dressing sets. Use the following diagrams and tables to work out which bolts you require in your set. Included will be a single EPDM gasket to suit.

Note: the following tables are for standard flange connections. To determine requirements for slim flange connections, refer to pages 57-59.

DRESS SET CODE

Our dress set codes have four basic parts:

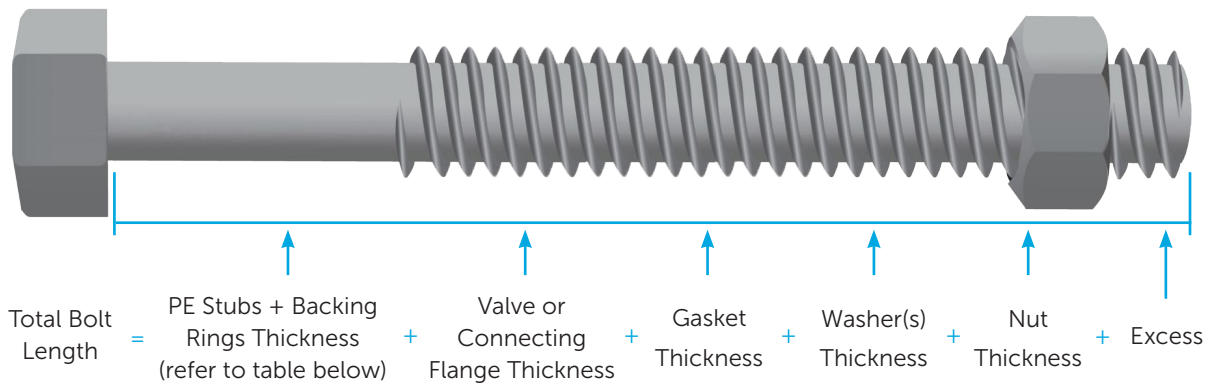
1. Begin with "DS" for galvanised or "SSDS" for stainless steel bolts/washers/nut
2. Followed by the nominal flange size (e.g. 4" would be 100). Refer to pages 60-63 for nominal sizes
3. Then you need to determine the required bolt length. Refer to the opposite page to calculate this.
4. The final value is the flange pattern (e.g. AS2129 Table E would be "TE"). This also determines the bolt size and quantity supplied

For example, the code for a dress set for 110mm-4" AS2129 Table E with 90mm long M16 galvanised bolts:
DS 100/90 TE

STANDARD FLANGES: BOLT QUANTITY AND SIZE

PIPE SIZE (MM)	FLANGE SIZE (INCH)		FLANGE PATTERN			
			AS2129 Table E	AS4087 PN16	BS 4504 PN16	ANSI 150
32	1"	Bolt Quantity and Size	4 x M12	-	4 x M12	4 x 1/2"
40	1 1/4"		4 x M12	-	4 x M16	4 x 1/2"
50	1 1/2"		4 x M12	-	4 x M16	4 x 1/2"
63	2"		4 x M16	4 x M16	4 x M16	4 x 5/8"
75	2 1/2"		4 x M16	4 x M16	4 x M16	4 x 5/8"
90	3"		4 x M16	4 x M16	8 x M16	4 x 5/8"
110	3 1/2"		4 x M16	-	8 x M16	4 x 5/8"
110	4"		8 x M16	4 x M16	8 x M16	8 x 5/8"
125	4"		8 x M16	4 x M16	8 x M16	8 x 5/8"
125	5"		8 x M16	-	8 x M16	8 x 3/4"
140	5"		8 x M16	-	8 x M16	8 x 3/4"
160	5"		8 x M16	-	8 x M16	8 x 3/4"
160	6"		8 x M20	8 x M16	8 x M20	8 x 3/4"
180	6"		8 x M20	8 x M16	8 x M20	8 x 3/4"
200	8"		8 x M20	8 x M16	12 x M20	8 x 3/4"
225	8"		8 x M20	8 x M16	12 x M20	8 x 3/4"
250	10"		12 x M20	8 x M20	12 x M24	12 x 7/8"
280	10"		12 x M20	8 x M20	12 x M24	12 x 7/8"
315	12"		12 x M24	12 x M20	12 x M24	12 x 7/8"
355	14"		12 x M24	12 x M24	16 x M26	12 x 1"
400	16"		12 x M24	12 x M24	16 x M26	16 x 1"
450	18"		16 x M24	12 x M24	20 x M27	16 x 1 1/8"
500	20"		16 x M24	16 x M24	20 x M30	20 x 1 1/8"
560	22"		16 x M27	-	-	-
630	24"		16 x M30	16 x M27	20 x M33	20 x 1 1/4"

DETERMINE THE REQUIRED LENGTH OF BOLTS



STANDARD FLANGES: COMBINED THICKNESS OF PE STUB FLANGE & BACKING RING

PIPE SIZE (MM)	FLANGE SIZE (INCH)	PE Stub Flange + Backing Ring Thickness (mm)	SDR11				SDR17			
			AS2129 Table E	AS4087 PN16	BS 4504 PN16	ANSI 150	AS2129 Table E	AS4087 PN16	BS 4504 PN16	ANSI 150
32	1"		17	-	24	16	-	-	-	-
40	1 1/4"		19	-	25	17	-	-	-	-
50	1 1/2"		21	-	30	20	21	-	30	20
63	2"		25	26	33	23	24	25	33	22
75	2 1/2"		27	28	35	25	28	29	35	26
90	3"		30	29	36	28	30	29	36	28
110	3 1/2"		31	31	-	-	30	30	-	-
110	4"		32	32	37	29	31	31	37	28
125	4"		40	39	44	36	32	31	44	28
125	5"		40	-	48	39	32	-	48	31
140	5"		39	-	47	38	32	-	47	31
160	5"		39	-	47	38	32	-	47	31
160	6"		42	38	47	38	35	31	47	31
180	6"		48	44	53	44	37	33	53	33
200	8"		51	51	54	45	43	43	54	37
225	8"		52	52	55	46	43	43	55	37
250	10"		57	54	57	48	47	44	57	38
280	10"		57	54	57	48	47	44	57	38
315	12"		65	63	62	56	50	48	62	41
355	14"		70	70	66	59	60	60	66	49
400	16"		77	75	75	67	65	63	75	55
450	18"		95	90	-	82	80	75	-	67
500	20"		98	98	-	85	98	98	-	85
560	22"		104	-	-	-	104	-	-	-
630	24"		113	113	-	94	108	108	-	89