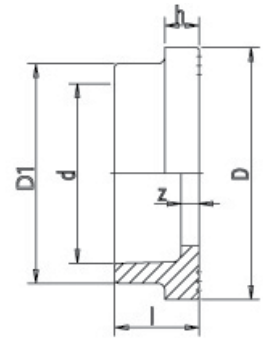


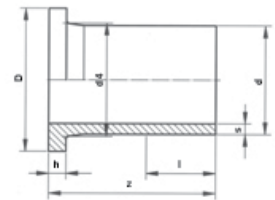
STUB FLANGE ADAPTOR

| CODE | d | D | D1 | l | z | h |
|-------------|-----|-----|-----|----|----|----|
| DCT295-0040 | 40 | 61 | 50 | 29 | 9 | 8 |
| DCT295-0050 | 50 | 74 | 61 | 27 | 4 | 8 |
| DCT295-0063 | 63 | 102 | 76 | 40 | 13 | 17 |
| DCT295-0075 | 75 | 122 | 90 | 38 | 8 | 19 |
| DCT295-0090 | 90 | 137 | 108 | 45 | 12 | 25 |
| DCT295-0110 | 110 | 158 | 131 | 50 | 13 | 21 |
| DCT295-0125 | 125 | 162 | 146 | 53 | 13 | 25 |



SPIGOT STUB FLANGE ADAPTOR

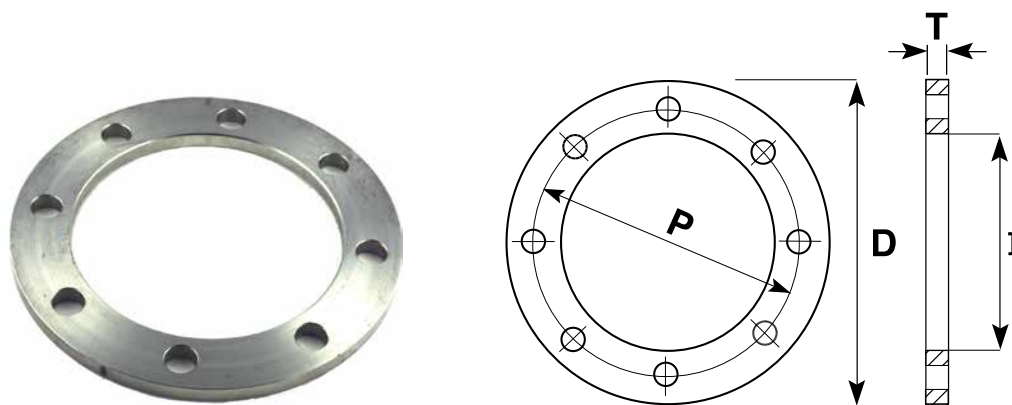
| CODE | d | s | h | D1 | d4 | z | l |
|-------------|-----|------|----|-----|-----|-----|-----|
| DCT296-0160 | 160 | 14.6 | 25 | 212 | 175 | 175 | 110 |
| DCT296-0200 | 200 | 18.2 | 32 | 268 | 232 | 205 | 127 |
| DCT296-0250 | 250 | 22.7 | 35 | 320 | 285 | 235 | 146 |
| DCT296-0315 | 315 | 28.6 | 36 | 372 | 337 | 262 | 185 |
| DCT296-0355 | 355 | 32.2 | 40 | 430 | 373 | 280 | 182 |
| DCT296-0400 | 400 | 36.3 | 45 | 482 | 427 | 315 | 192 |
| DCT296-0450 | 450 | 40.9 | 60 | 585 | 514 | 340 | 220 |
| DCT296-0500 | 500 | 45.4 | 60 | 585 | 530 | 344 | 234 |



**AS 4087 B7 GALVANISED BACKING RING (5441)
 PN16 STAINLESS BACKING RING (5442)
 TABLE D NYLON COATED BACKING RING (5444)**
 FOR EXAMPLE: A 110MM GALVANISED BACKING RING WOULD HAVE THE
 CODE 5441.0110B7

| SIZE (MM) | NOMINAL FLANGE SIZE | INCH SIZE | P (MM) | I (MM) | D (MM) | T (MM) | BOLT HOLES NO X DIA | BOLT |
|-----------|---------------------|-----------|--------|--------|--------|--------|---------------------|------|
| 20 | 15 | 1/2" | 67 | 32 | 95 | 6 | 4x14 | M12 |
| 25 | 20 | 3/4" | 73 | 37 | 100 | 6 | 4x14 | M12 |
| 32 | 25 | 1" | 83 | 44 | 115 | 6 | 4x14 | M12 |
| 40 | 32 | 1 1/4" | 87 | 52 | 120 | 6 | 4x14 | M12 |
| 50 | 40 | 1 1/2" | 98 | 62 | 135 | 8 | 4x14 | M12 |
| 63 | 50 | 2" | 114 | 78 | 150 | 11 | 4x18 | M16 |
| 75 | 65 | 2 1/2" | 127 | 92 | 165 | 11 | 4x18 | M16 |
| 90 | 80 | 3" | 146 | 108 | 185 | 11 | 4x18 | M16 |
| 110 | 100 | 4" | 178 | 128 | 215 | 13 | 4x18 | M16 |
| 125 | 100 | 4" | 178 | 135 | 215 | 13 | 4x18 | M16 |
| 160 | 150 | 6" | 235 | 178 | 280 | 13 | 8x18 | M16 |
| 180 | 150 | 6" | 235 | 185 | 280 | 13 | 8x18 | M16 |
| 200 | 200 | 8" | 292 | 235 | 335 | 19 | 8x18 | M16 |
| 225 | 200 | 8" | 292 | 240 | 335 | 19 | 8x18 | M16 |
| 250 | 250 | 10" | 356 | 290 | 405 | 19 | 8x22 | M20 |
| 280 | 250 | 10" | 356 | 300 | 405 | 19 | 8x22 | M20 |
| 315 | 300 | 12" | 406 | 345 | 455 | 23 | 12x22 | M20 |
| 355 | 350 | 14" | 470 | 376 | 525 | 30 | 12x26 | M24 |
| n/a | 375 | 15" | 495 | 404 | 550 | 30 | 12x26 | M24 |
| 400 | 400 | 16" | 521 | 430 | 580 | 30 | 12x26 | M24 |
| 450 | 450 | 18" | 584 | 480 | 640 | 30 | 12x26 | M24 |
| 500 | 500 | 20" | 641 | 533 | 705 | 38 | 16x26 | M24 |
| 630 | 600 | 24" | 756 | 660 | 825 | 48 | 16x30 | M27 |
| 710 | 700 | 28" | 845 | 745 | 910 | 56 | 20x30 | M27 |
| 800 | 800 | 32" | 984 | 835 | 1060 | 56 | 20x36 | M33 |

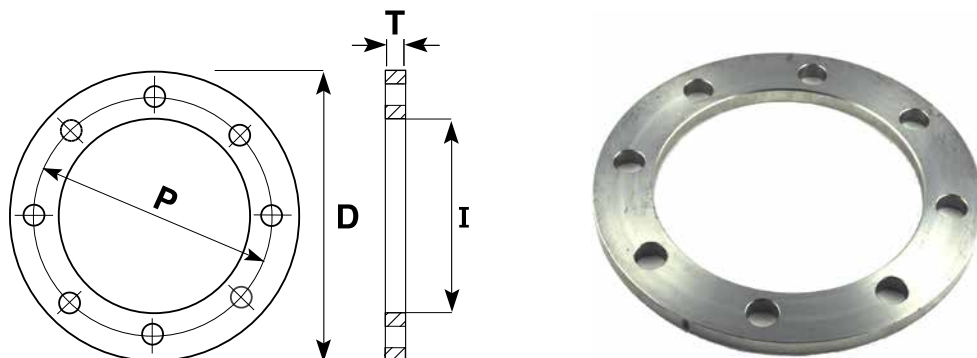
Note: these rings are suited to the Stream PE100 Pressure, Stream HDPE Drainage, Maxair, and Dynatherm PP-RCT ranges.



**TABLE E GALVANISED BACKING RING (5451)
STAINLESS BACKING RING (5452)
NYLON COATED BACKING RING (5454)**
FOR EXAMPLE: A 110MM GALVANISED BACKING RING WOULD HAVE THE
CODE 5451.0110

| SIZE (MM) | NOMINAL FLANGE SIZE | INCH SIZE | P (MM) | I (MM) | D (MM) | T (MM) | BOLT HOLES NO X DIA | BOLT |
|-----------|---------------------|-----------|--------|--------|--------|--------|---------------------|------|
| 20 | 15 | 1/2" | 67 | 32 | 95 | 6 | 4X14 | M12 |
| 25 | 20 | 3/4" | 73 | 37 | 100 | 6 | 4X14 | M12 |
| 32 | 25 | 1" | 83 | 44 | 115 | 7 | 4X14 | M12 |
| 40 | 32 | 1 1/4" | 87 | 52 | 120 | 8 | 4X14 | M12 |
| 50 | 40 | 1 1/2" | 98 | 62 | 135 | 9 | 4X14 | M12 |
| 63 | 50 | 2" | 114 | 74 | 150 | 10 | 4X18 | M16 |
| 75 | 65 | 2 1/2" | 127 | 93 | 165 | 10 | 4X18 | M16 |
| 90 | 80 | 3" | 146 | 108 | 185 | 12 | 4X18 | M16 |
| 110 | 100 | 4" | 178 | 125 | 215 | 13 | 8X18 | M16 |
| 125 | 100 | 4" | 178 | 140 | 215 | 14 | 8X18 | M16 |
| 125 | 125 | 5" | 210 | 140 | 255 | 14 | 8X18 | M16 |
| 140 | 125 | 5" | 210 | 158 | 255 | 14 | 8X18 | M16 |
| 160 | 150 | 6" | 235 | 175 | 280 | 17 | 8X22 | M20 |
| 180 | 150 | 6" | 235 | 185 | 280 | 17 | 8X22 | M20 |
| 200 | 200 | 8" | 292 | 230 | 335 | 19 | 8X22 | M20 |
| 225 | 200 | 8" | 292 | 240 | 335 | 19 | 8X22 | M20 |
| 250 | 250 | 10" | 356 | 290 | 405 | 22 | 12X22 | M20 |
| 280 | 250 | 10" | 356 | 300 | 405 | 22 | 12X22 | M20 |
| 315 | 300 | 12" | 406 | 345 | 455 | 25 | 12X26 | M24 |
| 355 | 350 | 14" | 470 | 373 | 525 | 29 | 12X26 | M24 |
| 400 | 400 | 16" | 521 | 425 | 580 | 32 | 12X26 | M24 |
| 450 | 450 | 18" | 584 | 480 | 640 | 35 | 16X26 | M24 |
| 500 | 500 | 20" | 641 | 533 | 705 | 38 | 16X26 | M24 |
| 560 | - | 22" | 699 | 590 | 760 | 44 | 16X30 | M27 |
| 630 | 600 | 24" | 756 | 660 | 825 | 48 | 16X33 | M30 |
| 710 | 700 | 28" | 845 | 745 | 910 | 51 | 20X33 | M30 |
| 800 | 800 | 32" | 984 | 835 | 1060 | 54 | 20X36 | M33 |

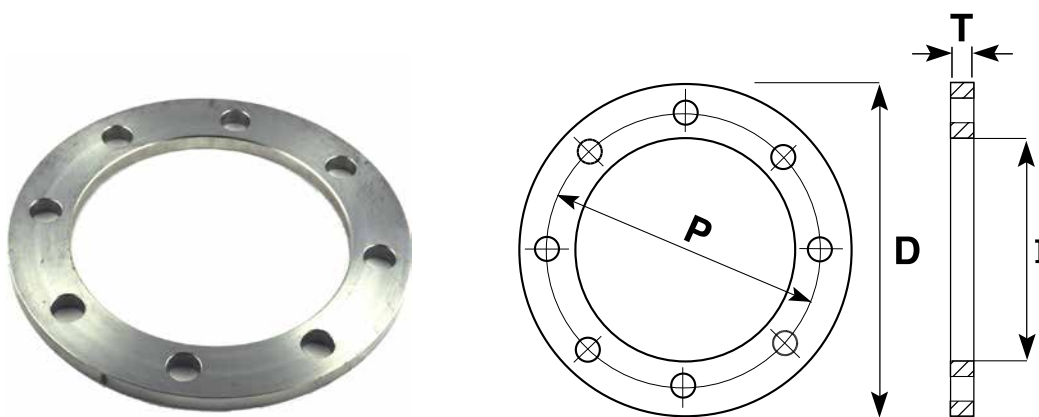
Note: these rings are suited to the Stream PE100 Pressure, Stream HDPE Drainage, Maxair, and Dynatherm PP-RCT ranges.



**TABLE ANSI GALVANISED BACKING RING (5461)
 STAINLESS BACKING RING (5462)
 NYLON COATED BACKING RING (5464)**
 FOR EXAMPLE: A 110MM GALVANISED BACKING RING WOULD HAVE A CODE 5461.0110

| SIZE (MM) | NOMINAL FLANGE SIZE | INCH SIZE | P (MM) | I (MM) | D (MM) | T (MM) | BOLT HOLES NO X DIA | BOLT |
|-----------|---------------------|-----------|--------|--------|--------|--------|---------------------|--------|
| 20 | 15 | 1/2" | 60.5 | 32 | 90 | 6 | 4x16 | 1/2" |
| 25 | 20 | 3/4" | 70 | 37 | 98 | 6 | 4x16 | 1/2" |
| 32 | 25 | 1" | 79.5 | 44 | 108 | 6 | 4x16 | 1/2" |
| 40 | 32 | 1 1/4" | 89 | 52 | 117 | 6 | 4x16 | 1/2" |
| 50 | 40 | 1 1/2" | 98.5 | 62 | 127 | 8 | 4x16 | 1/2" |
| 63 | 50 | 2" | 120.5 | 78 | 152 | 8 | 4x20 | 5/8" |
| 75 | 65 | 2 1/2" | 139.5 | 92 | 178 | 8 | 4x20 | 5/8" |
| 90 | 80 | 3" | 152 | 108 | 191 | 10 | 4x20 | 5/8" |
| 110 | 100 | 4" | 190.5 | 128 | 229 | 10 | 8x20 | 5/8" |
| 125 | 100 | 4" | 190.5 | 140 | 229 | 10 | 8x20 | 5/8" |
| 125 | 125 | 5" | 216 | 140 | 254 | 13 | 8x23 | 3/4" |
| 140 | 125 | 5" | 216 | 158 | 254 | 13 | 8x23 | 3/4" |
| 160 | 150 | 6" | 241 | 178 | 279 | 13 | 8x23 | 3/4" |
| 180 | 150 | 6" | 241 | 195 | 279 | 13 | 8x23 | 3/4" |
| 200 | 200 | 8" | 298.5 | 235 | 343 | 13 | 8x23 | 3/4" |
| 225 | 200 | 8" | 298.5 | 240 | 343 | 13 | 8x23 | 3/4" |
| 250 | 250 | 10" | 362 | 290 | 406 | 13 | 12x26 | 7/8" |
| 280 | 250 | 10" | 362 | 300 | 406 | 16 | 12x26 | 7/8" |
| 315 | 300 | 12" | 432 | 345 | 483 | 16 | 12x26 | 7/8" |
| 355 | 350 | 14" | 476 | 376 | 535 | 19 | 12x29 | 1" |
| 400 | 400 | 16" | 540 | 430 | 600 | 22 | 16x29 | 1" |
| 450 | 450 | 18" | 578 | 480 | 635 | 22 | 16x32 | 1 1/8" |
| 500 | 500 | 20" | 635 | 533 | 700 | 25 | 20x32 | 1 1/8" |
| 630 | 600 | 24" | 749 | 660 | 813 | 29 | 20x35 | 1 1/4" |

Note: these rings are suited to the Stream PE100 Pressure, Stream HDPE, Maxair, and Dynatherm ranges.



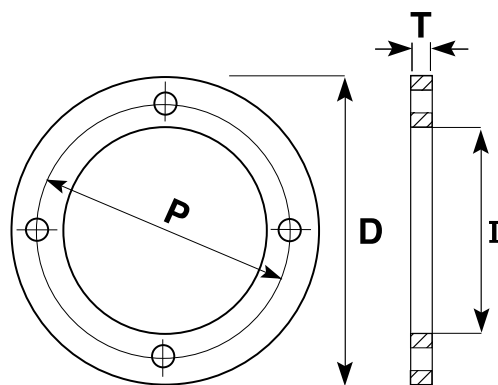
**BS EN 1092
PN16**

PP BLACK COATED STEEL BACKING RING (5415)

FOR EXAMPLE: A 110MM GALVANISED BACKING RING WOULD HAVE A CODE 5415.0110

| SIZE (MM) | NOMINAL FLANGE SIZE | INCH SIZE | P (MM) | I (MM) | D (MM) | T (MM) | BOLT HOLES NO X DIA | BOLT |
|-----------|---------------------|-----------|--------|--------|--------|--------|---------------------|------|
| 20 | 15 | 1/2" | 65 | 32 | 95 | 14 | 4x14 | M12 |
| 25 | 20 | 3/4" | 75 | 37 | 105 | 14 | 4x14 | M12 |
| 32 | 25 | 1" | 85 | 44 | 115 | 14 | 4x14 | M12 |
| 40 | 32 | 1 1/4" | 100 | 52 | 140 | 16 | 4x18 | M16 |
| 50 | 40 | 1 1/2" | 110 | 62 | 150 | 18 | 4x18 | M16 |
| 63 | 50 | 2" | 125 | 74 | 165 | 18 | 4x18 | M16 |
| 75 | 65 | 2 1/2" | 145 | 87 | 185 | 18 | 4x18 | M16 |
| 90 | 80 | 3" | 160 | 103 | 200 | 18 | 8x18 | M16 |
| 110 | 100 | 4" | 180 | 125 | 220 | 18 | 8x18 | M16 |
| 125 | 100 | 4" | 180 | 140 | 220 | 18 | 8x18 | M16 |
| 125 | 125 | 5" | 210 | 140 | 250 | 22 | 8x18 | M16 |
| 140 | 125 | 5" | 210 | 158 | 250 | 22 | 8x18 | M16 |
| 160 | 150 | 6" | 240 | 175 | 285 | 22 | 8x22 | M20 |
| 180 | 150 | 6" | 240 | 185 | 285 | 22 | 8x22 | M20 |
| 200 | 200 | 8" | 295 | 230 | 340 | 22 | 12x22 | M20 |
| 225 | 200 | 8" | 295 | 240 | 340 | 22 | 12x22 | M20 |
| 250 | 250 | 10" | 355 | 290 | 405 | 22 | 12x26 | M24 |
| 280 | 250 | 10" | 355 | 300 | 405 | 22 | 12x26 | M24 |
| 315 | 300 | 12" | 410 | 345 | 460 | 22 | 12x26 | M24 |
| 355 | 350 | 14" | 470 | 373 | 520 | 26 | 16x26 | M24 |
| 400 | 400 | 16" | 525 | 425 | 580 | 30 | 16x30 | M27 |
| 450 | 450 | 18" | 585 | 480 | 640 | 40 | 20x30 | M27 |
| 500 | 500 | 20" | 650 | 533 | 715 | 44 | 20x33 | M30 |
| 630 | 600 | 24" | 770 | 660 | 840 | 54 | 20x36 | M33 |

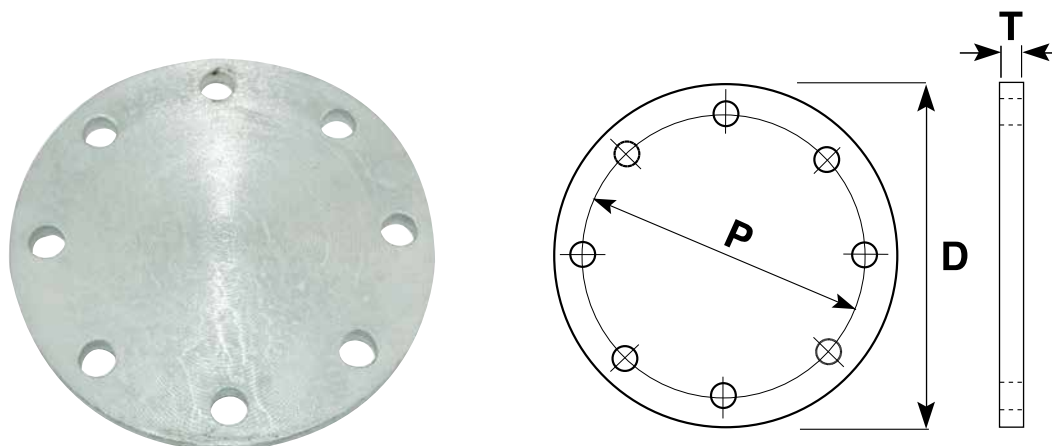
Note: these rings are suited to the Stream PE100 Pressure, Stream HDPE, Maxair, and Dynatherm ranges.



BLIND FLANGE

| SIZE (MM) | NOMINAL FLANGE SIZE | INCH SIZE | TABLE D GALVANISED (5471) | TABLE D STAINLESS (5472) | TABLE E GALVANISED (5481) | TABLE E STAINLESS (5482) | ANSI 150 GALVANISED (5491) | ANSI 150 STAINLESS (5492) |
|-----------|---------------------|-----------|---------------------------|--------------------------|---------------------------|--------------------------|----------------------------|---------------------------|
| 20 | 15 | 1/2" | 5471-0020 | 5472-0020 | 5481-0020 | 5482-0020 | 5491-0020 | 5492-0020 |
| 25 | 20 | 3/4" | 5471-0025 | 5472-0025 | 5481-0025 | 5482-0025 | 5491-0025 | 5492-0025 |
| 32 | 25 | 1" | 5471-0032 | 5472-0032 | 5481-0032 | 5482-0032 | 5491-0032 | 5492-0032 |
| 40 | 32 | 1 1/4" | 5471-0040 | 5472-0040 | 5481-0040 | 5482-0040 | 5491-0040 | 5492-0040 |
| 50 | 40 | 1 1/2" | 5471-0050 | 5472-0050 | 5481-0050 | 5482-0050 | 5491-0050 | 5492-0050 |
| 63 | 50 | 2" | 5471-0063 | 5472-0063 | 5481-0063 | 5482-0063 | 5491-0063 | 5492-0063 |
| 75 | 65 | 2 1/2" | 5471-0075 | 5472-0075 | 5481-0075 | 5482-0075 | 5491-0075 | 5492-0075 |
| 90 | 80 | 3" | 5471-0090 | 5472-0090 | 5481-0090 | 5482-0090 | 5491-0090 | 5492-0090 |
| 110 | 100 | 4" | 5471-0110 | 5472-0110 | 5481-0110 | 5482-0110 | 5491-0110 | 5492-0110 |
| 125 | 100 | 4" | 5471-4125 | 5472-4125 | 5481-4125 | 5482-4125 | 5491-4125 | 5492-4125 |
| 125 | 125 | 5" | 5471-5125 | 5472-5125 | 5481-5125 | 5482-5125 | 5491-5125 | 5492-5125 |
| 160 | 150 | 6" | 5471-0160 | 5472-0160 | 5481-0160 | 5482-0160 | 5491-0160 | 5492-0160 |
| 180 | 150 | 6" | 5471-0180 | 5472-0180 | 5481-0180 | 5482-0180 | 5491-0180 | 5492-0180 |
| 200 | 200 | 8" | 5471-0200 | 5472-0200 | 5481-0200 | 5482-0200 | 5491-0200 | 5492-0200 |
| 225 | 200 | 8" | 5471-0225 | 5472-0225 | 5481-0225 | 5482-0225 | 5491-0225 | 5492-0225 |
| 250 | 250 | 10" | 5471-0250 | 5472-0250 | 5481-0250 | 5482-0250 | 5491-0250 | 5492-0250 |
| 280 | 250 | 10" | 5471-0280 | 5472-0280 | 5481-0280 | 5482-0280 | 5491-0280 | 5492-0280 |
| 315 | 300 | 12" | 5471-0315 | 5472-0315 | 5481-0315 | 5482-0315 | 5491-0315 | 5492-0315 |
| 355 | 350 | 14" | 5471-0355 | 5472-0355 | 5481-0355 | 5482-0355 | 5491-0355 | 5492-0355 |
| 400 | 400 | 16" | 5471-0400 | 5472-0400 | 5481-0400 | 5482-0400 | 5491-0400 | 5492-0400 |
| 450 | 450 | 18" | 5471-0450 | 5472-0450 | 5481-0450 | 5482-0450 | 5491-0450 | 5492-0450 |
| 500 | 500 | 20" | 5471-0500 | 5472-0500 | 5481-0500 | 5482-0500 | 5491-0500 | 5492-0500 |
| 560 | 550 | 22" | 5471-0560 | 5472-0560 | 5481-0560 | 5482-0560 | 5491-0560 | 5492-0560 |
| 630 | 600 | 24" | 5471-0630 | 5472-0630 | 5481-0630 | 5482-0630 | 5491-0630 | 5492-0630 |
| 710 | 650 | 26" | 5471-0710 | 5472-0710 | 5481-0710 | 5482-0710 | 5491-0710 | 5492-0710 |
| 800 | 700 | 28" | 5471-0800 | 5472-0800 | 5481-0800 | 5482-0800 | 5491-0800 | 5492-0800 |

Note: these rings are suited to the Stream PE100 Pressure, Stream HDPE, Maxair, and Dynatherm ranges.



EPDM RUBBER GASKET

TABLE D • TABLE E • PN16 • ANSI 150

| PIPE SIZE (MM) | INCH SIZE | TABLE D | | TABLE E | | PN16 | | ANSI 150 | |
|-------------------|--------------|---------|-----------|---------|-----------|------|-----------|----------|-----------|
| | | PCD | CODE | PCD | CODE | PCD | CODE | PCD | CODE |
| 20 | 1/2" | 67 | 9644-0020 | 67 | 9644-0020 | 65 | 9654-0020 | 60.5 | 9624-0020 |
| 25 | 3/4" | 73 | 9644-0025 | 73 | 9644-0025 | 75 | 9654-0025 | 70 | 9624-0025 |
| 32 | 1" | 83 | 9644-0032 | 83 | 9644-0032 | 85 | 9654-0032 | 79.5 | 9624-0032 |
| 40 | 1 1/4" | 87 | 9644-0040 | 87 | 9644-0040 | 100 | 9654-0040 | 89 | 9624-0040 |
| 50 | 1 1/2" | 98 | 9644-0050 | 98 | 9644-0050 | 110 | 9654-0050 | 98.5 | 9624-0050 |
| 63 | 2" | 114 | 9644-0063 | 114 | 9644-0063 | 125 | 9654-0063 | 120.5 | 9624-0063 |
| 75 | 2 1/2" | 127 | 9644-0075 | 127 | 9644-0075 | 145 | 9654-0075 | 139.5 | 9624-0075 |
| 90 | 3" | 146 | 9644-0090 | 146 | 9644-0090 | 160 | 9654-0090 | 152 | 9624-0090 |
| 110 | 4" | 178 | 9634-0110 | 178 | 9644-0110 | 180 | 9654-0110 | 190.5 | 9624-0110 |
| 125 | 4" | 178 | 9634-4125 | 178 | 9644-4125 | 180 | 9654-4125 | - | - |
| 125 | 5" | 210 | 9634-5125 | 210 | 9644-5125 | 210 | 9654-5125 | 216 | 9624-0125 |
| 140 | 5" | 210 | 9634-0140 | 210 | 9644-0140 | 210 | 9654-0140 | 216 | 9624-0140 |
| 160 | 6" | 235 | 9634-0160 | 235 | 9644-0160 | 240 | 9654-0160 | 241 | 9624-0160 |
| 180 | 6" | 235 | 9634-0180 | 235 | 9644-0180 | 240 | 9654-0180 | 241 | 9624-0180 |
| 200 | 8" | 292 | 9634-0200 | 292 | 9644-0200 | 295 | 9654-0200 | 298.5 | 9624-0200 |
| 225 | 8" | 292 | 9634-0225 | 292 | 9644-0225 | 295 | 9654-0225 | 298.5 | 9624-0225 |
| 250 | 10" | 356 | 9634-0250 | 356 | 9644-0250 | 355 | 9654-0250 | 362 | 9624-0250 |
| 280 | 10" | 356 | 9634-0280 | 356 | 9644-0280 | 355 | 9654-0280 | 362 | 9624-0280 |
| 315 | 12" | 406 | 9634-0315 | 406 | 9644-0315 | 410 | 9654-0315 | 432 | 9624-0315 |
| 355 | 14" | 470 | 9634-0355 | 470 | 9644-0355 | 470 | 9654-0355 | 476 | 9624-0355 |
| 400 | 16" | 521 | 9634-0400 | 521 | 9644-0400 | 525 | 9654-0400 | 540 | 9624-0400 |
| 450 | 18" | 584 | 9634-0450 | 584 | 9644-0450 | 585 | 9654-0450 | 578 | 9624-0450 |
| 500 | 20" | 641 | 9634-0500 | 641 | 9644-0500 | 650 | 9654-0500 | 635 | 9624-0500 |
| 560 | 22" | 699 | 9634-0560 | 699 | 9644-0560 | - | - | 692 | 9624-0560 |
| 630 | 24" | 756 | 9634-0630 | 756 | 9644-0630 | 770 | 9654-0630 | 749 | 9624-0630 |
| 710 | 26" | 845 | 9634-0710 | 845 | 9644-0710 | - | - | - | - |
| 800 | 28" | 984 | 9634-0800 | 984 | 9644-0800 | - | - | - | - |

Note: these gaskets are suited to the Stream PE100 Pressure, Stream HDPE, Maxair, and Dynatherm ranges.

