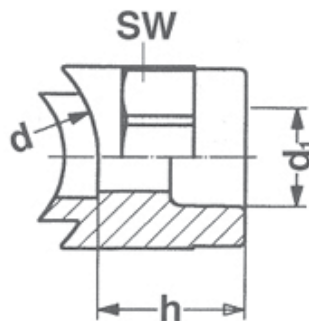


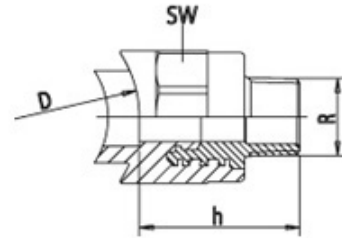
## WELD-IN SADDLE

CODE	d	d1	h	SW
DCT250-4620	40-63	20	29	38
DCT250-4625	40-63	25	29	38
DCT250-4632	40-63	32	35	51
DCT250-6120	63-125	20	29	38
DCT250-6125	63-125	25	29	38
DCT250-6132	63-125	32	35	51
DCT250-7140	75-125	40	38	63
DCT250-9150	90-125	50	39	70
DCT250-1163	110-125	63	45	85
DCT250-1620	160-250	20	29	38
DCT250-1625	160-250	25	29	38
DCT250-1632	160-250	32	35	51
DCT250-1640	160-250	40	38	63
DCT250-1650	160-250	50	39	70
DCT250-1663	160-250	63	45	85
DCT250-3620	315-630	20	29	38
DCT250-3625	315-630	25	29	38
DCT250-3632	315-630	32	35	51
DCT250-3640	315-630	40	38	63
DCT250-3650	315-630	50	39	70
DCT250-3663	315-630	63	45	85



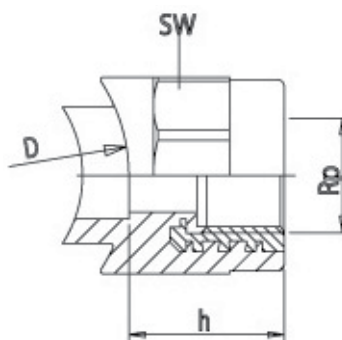
## WELD-IN SADDLE WITH MALE THREAD

CODE	d	R	d2	h	SW
DCT254-4615	40-63	1/2	25	43	38
DCT254-4620	40-63	3/4	-	-	-
DCT254-6115	63-125	1/2	25	43	38
DCT254-6120	63-125	3/4	32	50	51
DCT254-7125	75-125	1	32	52	51
DCT254-9132	90-125	1 1/4	40	58	63
DCT254-9140	90-125	1 1/2	50	59	70
DCT254-1150	110-125	2	63	70	85
DCT254-1615	160-250	1/2	25	43	38
DCT254-1620	160-250	3/4	32	50	51
DCT254-1625	160-250	1	32	52	51
DCT254-1640	160-250	1 1/2	50	59	70
DCT254-1650	160-250	2	63	70	85
DCT254-3620	315-630	3/4	32	50	51
DCT254-3625	315-630	1	32	52	51
DCT254-3632	315-630	1 1/2	40	58	63



### WELD-IN SADDLE WITH FEMALE THREAD

CODE	d x Rp	d2	h	SW
DCT257-4615	40-63 x 1/2	25	43	38
DCT257-6115	63-125 x 1/2	25	43	38
DCT257-6120	63-125 x 3/4	32	50	51
DCT257-7125	75-125 x 1	32	52	51
DCT257-9132	90-125 x 1 1/4	40	38	63
DCT257-9140	90-125 x 1 1/2	50	39	70
DCT257-1150	110-125 x 2	63	45	85
DCT257-1615	160-250 x 1/2	25	29	38
DCT257-1620	160 - 250 x 3/4	32	35	51
DCT257-1625	160-250 x 1	32	52	51
DCT257-1632	160-250 x 1 1/4	40	38	63
DCT257-1640	160-250 x 1 1/2	50	39	70
DCT257-1650	160-250 x 2	63	45	85
DCT257-3620	315-630 x 3/4	32	35	51
DCT257-3625	315-630 x 1	32	52	51
DCT257-3632	315-630 x 1 1/4	40	38	63
DCT257-3640	315-630 x 1 1/2	50	39	70
DCT257-3650	315-630 x 2	63	45	85



### CROSSOVER CONNECTION

CODE	d	t	H	z	L
DCT268-0020	20	14.5	45	131	160
DCT268-0025	25	16	55	168	200
DCT268-0032	32	26	70	204	240

