

stream

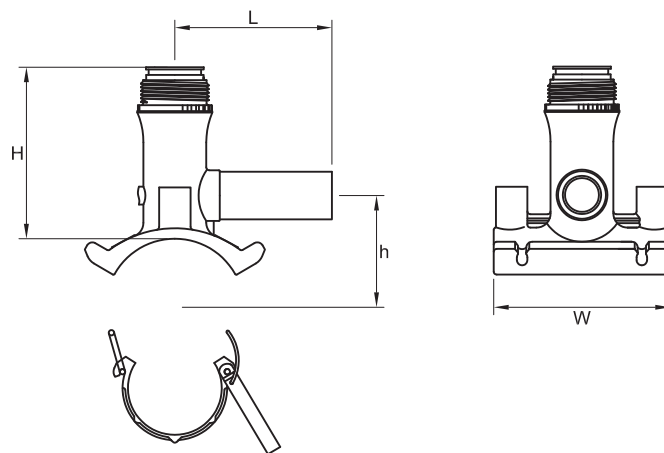
ELECTROFUSION SADDLES
PRODUCT CATALOGUE
2018



PE100 • SDR11 - SDR17 • PN16 WATER • PN10 GAS

SIZE (MM)	PRODUCT CODE	L (MM)	H (MM)	h (MM)	W (MM)
40 x 25	2214.4025	105	110	50	120
40 x 32	2214.4032	105	110	50	120
50 x 25	2214.5025	105	110	50	120
50 x 32	2214.5032	105	110	50	120
63 x 25	2214.6325	105	119	62	120
63 x 32	2214.6332	105	119	62	120
63 x 40	2214.6340	165	155	59.5	146
63 x 50	2214.6350	165	155	59.5	146
63 x 63	2214.6363	165	155	59.5	146
75 x 25	2214.7525	105	110	77	120
75 x 32	2214.7532	105	110	77	120
75 x 40	2214.7540	165	152	57	146
75 x 50	2214.7550	165	152	57	146
75 x 63	2214.7563	165	152	57	146
90 x 25	2214.9025	105	110	77	120
90 x 32	2214.9032	105	110	77	120
90 x 40	2214.9040	165	152	57	146
90 x 50	2214.9050	165	152	57	146
90 x 63	2214.9063	165	152	57	146
110 x 25	2214.1125	105	117	87	120
110 x 32	2214.1132	105	117	87	120
110 x 40	2214.1140	165	176	105	146
110 x 50	2214.1150	165	176	105	146
110 x 63	2214.1163	165	176	105	146
125 x 25	2214.1225	105	117	95	120
125 x 32	2214.1232	105	117	95	120
125 x 40	2214.1240	165	178	112	146
125 x 50	2214.1250	165	178	112	146
125 x 63	2214.1263	165	178	112	146
160 x 32	2214.1632	105	122	112	120
160 x 63	2214.1663	165	182	137	146
180 x 25	2214.1825	105	122	122	120
180 x 32	2214.1832	105	122	122	120
180 x 40	2214.1840	165	183	147	146
180 x 50	2214.1850	165	183	147	146
180 x 63	2214.1863	165	183	147	146
200 x 32	2214.2032	105	122	132	120
200 x 63	2214.2063	165	183	157	146
225 x 63	2214.2263	165	183	169	146
250 x 63	2214.2563	165	183	182	146
280 x 63	2214.2863	165	184	196	146
315 x 63	2214.3163	165	187	217	146
355 x 63	2214.3563	165	187	238	146
400 x 63	2214.4063	165	190	262	146
450 x 63	2214.4563	165	190	287	146

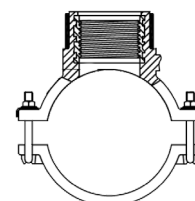
Note: Tapping Saddles can also be supplied with a thread welded onto the offtake.
Some saddles >225mm are top load. UPG hire installation tooling if required.



THREADED BRANCH SADDLES

PE100 • SDR11 - SDR17 • PN16 WATER • PN10 GAS

SIZE (MM)	THREAD SIZE		
	1"	1 1/2"	2"
63	2224.63-1"	2224.63-1 1/2"	2224.63-2"
75	2224.75-1"	-	-
90	2224.20-1"	2224.90-1 1/2"	2224.20-2"
110	2224.11-1"	2224.11-1 1/2"	2224.11-2"
125	2224.12-1"	2224.12-1 1/2"	2224.12-2"
160	2224.16-1"	2224.16-1 1/2"	2224.16-2"
180	2224.18-1"	2224.18-1 1/2"	2224.18-2"
200	2224.20-1"	2224.20-1 1/2"	2224.20-2"
225	2224.22-1"	2224.22-1 1/2"	2224.22-2"
250	2224.25-1"	2224.25-1 1/2"	2224.25-2"
280	2224.28-1"	2224.28-1 1/2"	2224.28-2"
315	2224.31-1"	2224.31-1 1/2"	2224.31-2"
355	2224.35-1"	2224.35-1 1/2"	2224.35-2"
400	2224.40-1"	2224.40-1 1/2"	2224.40-2"
450	2224.45-1"	2224.45-1 1/2"	2224.45-2"



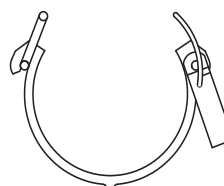
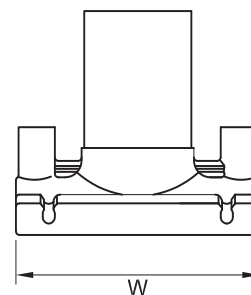
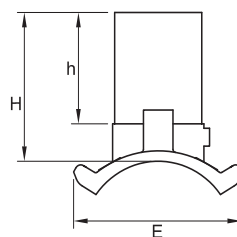
BRANCH SADDLES

PE100 • SDR11 - SDR26 • PN16 WATER • PN10 GAS

SIZE (MM)	PRODUCT CODE	H (MM)	h (MM)	W (MM)	E (MM)
40 x 25	2224.4025	90	52	103	83
40 x 32	2224.4032	90	57	103	83
63 x 25	2224.6325	106	59	122	105
63 x 32	2224.6332	106	59	122	105
63 x 40	2224.6340	106	59	122	105
63 x 50	2224.6350	106	59	122	105
63 x 63	2224.6363	106	59	122	105
75 x 32	2224.7532	115	75	147	119
75 x 40	2224.7540	115	75	147	119
75 x 50	2224.7550	115	75	147	119
75 x 63	2224.7563	115	75	147	119
90 x 25	2224.9025	91	51	136	133
90 x 32	2224.9032	91	51	136	133
90 x 40	2224.9040	105	69	136	133
90 x 50	2224.9050	105	82	136	133
90 x 63	2224.9063	105	88	136	133
110 x 25	2224.1125	118	75	147	122
110 x 32	2224.1132	118	75	147	122
110 x 40	2224.1140	118	75	147	122
110 x 50	2224.1150	118	75	147	122
110 x 63	2224.1163	118	75	147	122
110 x 90	2224.1190	121	84	165	180
125 x 25	2224.1225	118	75	147	122
125 x 32	2224.1232	118	75	147	122
125 x 40	2224.1240	118	75	147	122
125 x 50	2224.1250	118	75	147	122
125 x 63	2224.1263	118	75	147	122
125 x 90	2224.1290	114	84	165	180
160 x 25	2224.1625	125	75	147	122
160 x 32	2224.1632	125	75	147	122
160 x 40	2224.1640	125	75	147	122
160 x 50	2224.1650	125	75	147	122
160 x 63	2224.1663	125	75	147	122
160 x 90	2224.1690	110	84	215	236
160 x 110	2224.1611	131	98	217	236
180 x 25	2224.1825	125	75	147	122
180 x 32	2224.1832	125	75	147	122
180 x 40	2224.1840	125	75	147	122
180 x 50	2224.1850	125	75	147	122
180 x 63	2224.1863	125	75	147	122
180 x 90	2224.1890	100	84	215	236
180 x 110	2224.1811	121	98	217	236
180 x 125	2224.1812	121	98	217	236
200 x 63	2224.2063	125	75	147	122
200 x 90	2224.2090	115	84	165	263

SIZE (MM)	PRODUCT CODE	H (MM)	h (MM)	W (MM)	E (MM)
225 x 63	2224.2263	125	75	147	122
225 x 90	2224.2290	113	84	165	291
225 x 125	2224.2212	123	98	310	327
250 x 63	2224.2563	120	84	165	317
250 x 90	2224.2590	120	84	165	317
250 x 125	2224.2512	110	98	310	327
280 x 63	2224.2863	140	75	146	122
280 x 90	2224.2890	115	102	300	305
280 x 125	2224.2812	121	109	300	305
315 x 63	2224.3163	140	75	146	122
315 x 90	2224.3190	115	102	300	305
315 x 125	2224.3112	121	109	300	305
315 x 160	2224.3116	132	119	300	305
355 x 63	2224.3563	140	75	146	122
355 x 90	2224.3590	115	102	300	305
355 x 125	2224.3512	121	109	300	305

Range of offtake sizes and larger sizes available on request up to 1200mm.





SAFETY

Tapping tees incorporate two O-ring seals: an internal O-ring in the body of the fitting which seals on the cutter, and an external O-ring which seals against the tightened LockCap. Together these seals protect against leakage and, in conjunction with the optional cutter tube, offer a leak-free connection.



SIMPLE

The clamp design snaps quickly in place, saves the installer time, avoids the need for specialist tooling, and provides proof of clamping during the fusion cycle.

SECURE

The tamper-proof cap ensures correct installation. It cannot be overtightened and won't vibrate loose.



CONTACT DETAILS

15 Raiha Street, Porirua
Wellington, New Zealand

Freephone: 0800 4 PE100
0800 4 73100

Freefax: 0800 767 190

Email: sales@upg.net.nz

Web: www.upg.nz

Twitter: [@upgpipesystems](https://twitter.com/upgpipesystems)