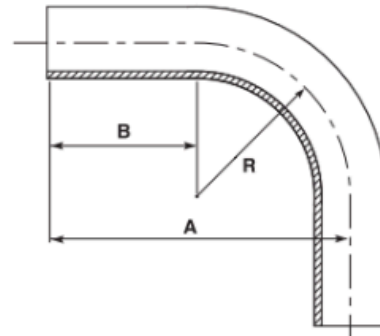


90° Sweep Bend

PE100 • SDR11 • SDR17

SIZE (MM)	CODE SDR11	CODE SDR17	A (MM)	B (MM)	R (MM)
20	6754-0020	6756-0020	200	100	100
25	6754-0025	6756-0025	200	100	100
32	6754-0032	6756-0032	228	100	128
40	6754-0040	6756-0040	260	100	160
50	6754-0050	6756-0050	275	100	175
63	6754-0063	6756-0063	325	100	225
75	6754-0075	6756-0075	455	150	305
90	6754-0090	6756-0090	455	150	305
110	6754-0110	6756-0110	560	180	380
125	6754-0125	6756-0125	560	180	380
140	6754-0140	6756-0140	660	200	460
160	6754-0160	6756-0160	660	200	460
180	6754-0180	6756-0180	660	200	460
200	6754-0200	6756-0200	785	250	535
225	6754-0225	6756-0225	785	250	535
250	6754-0250	6756-0250	915	300	615
280	6754-0280	6756-0280	965	350	615
315	6754-0315	6756-0315	1115	400	715
355	6754-0355	6756-0355	1280	500	780
400	6754-0400	6756-0400	1620	550	1070
450	6754-0450	6756-0450	1650	550	1100
500	6754-0500	6756-0500	1950	700	1250
630	6754-0630	6756-0630	2164	699	1715

Note: Other degree and larger size bends made to order.



Comments:

Check that both pipe(s) and fitting to be joined are compatible, only compatible materials should be joined together. Check the PN and SDR rating marked on fitting and compare with that of the pipe. If in doubt, seek advice from the manufacturer. Correct installation procedures should be followed.

The designs, materials and specifications shown are subject to change without notice. This is due to the continuous development of our product range

Contact our technical team for further information.

Wellington
17 Raiha Street, Porirua

Auckland
3/68 McLaughlins Road, Wiri

P 0800 473 100
E sales@upg.net.nz
W upg.nz