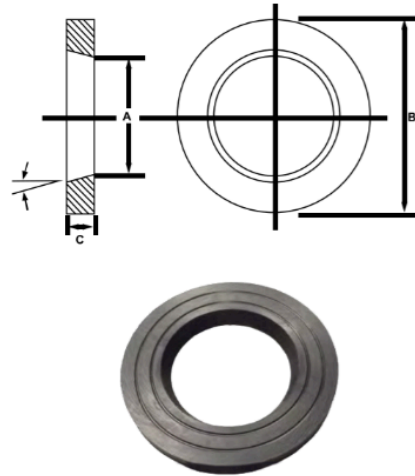


Butterfly Valve Spacer

PE100 · SDR11 · PN16

| SIZE (MM) | CODE SDR11 | THICKNESS C |
|-----------|------------|-------------|
| 110 | V110-11 | 14 |
| 125 | VS125-11 | 25 |
| 140 | VS140-11 | 25 |
| 160 | VS160-11 | 25 |
| 200 | VS200-11 | 40 |
| 225 | VS225-11 | 25 |
| 250 | VS250-11 | 60 |
| 280 | VS280-11 | 30 |
| 315 | VS315-11 | 60 |
| 355 | VS355-11 | 60 |
| 400 | VS400-11 | 100 |
| 450 | VS450-11 | 100 |
| 500 | VS500-11 | 100 |
| 630 | VS630-11 | 55 |

Derating may apply - discuss with our sales team



Comments:

Check that both pipe(s) and fitting to be joined are compatible, only compatible materials should be joined together. Check the PN and SDR rating marked on fitting and compare with that of the pipe. If in doubt, seek advice from the manufacturer. Correct installation procedures should be followed.

The designs, materials and specifications shown are subject to change without notice. This is due to the continuous development of our product range

Contact our technical team for further information.